

NOTE: ALUMINUM ASSOCIATION
STANDARD COMMERCIAL TOLERANCES
APPLY - UNLESS OTHERWISE NOTED

FINISH REQUIREMENTS PER
WORK INSTRUCTIONS

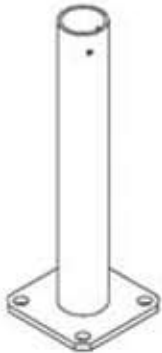


PGPBH12: 3"x12' (30.72 lbs)
PGPBH16: 3"x16' (40.96 lbs.)

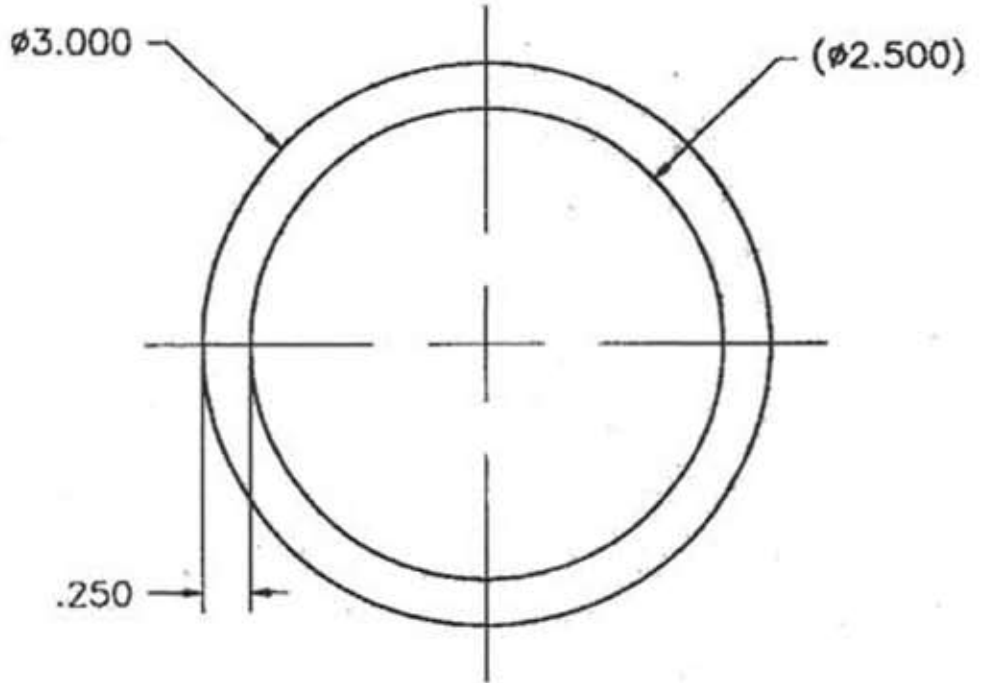
3"x2" Reducer



HD 3" Base



ALUMINUM POLES



TOLERANCES, UNLESS OTHERWISE SPECIFIED:

DIAMETER-

ALLOWABLE DEVIATION OF MEAN DIAMETER FROM SPECIFIED DIAMETER $\pm .015$
ALLOWABLE DEVIATION OF DIAMETER AT ANY POINT FROM SPECIFIED DIAMETER $\pm .030$

WALL-

ALLOWABLE DEVIATION OF MEAN WALL THICKNESS FROM SPECIFIED WALL THICKNESS $\pm .016$
ALLOWABLE DEVIATION OF WALL THICKNESS AT ANY POINT FROM MEAN WALL THICKNESS IS $\pm 10\%$
OF MEAN WALL THICKNESS, MAX $\pm .060$, MIN $\pm .010$

*ORIGINAL ENGINEERING PLOT
STAMPED IN RED*

Edsun Lighting Fixture Mfg.
569 W. 17 St., Hialeah, FL 33010

		SIZE DESCRIPTION	EST. AREA	2.160
		3.000 OD X 0.250 WALL	EST. WT/FT EIGHT	2.540
		REF. PGPBH	EST. WT/FT THIRTY	2.566
			TOTAL PER	17.279
NO.	REVISIONS	DESIGN	DRG. NO.'S	AA
DATE		DT 04-29-11	SCALE	FULL
		CHECKED		DRG. NO. ST-7572